



Australian Capital Territory
Gazette

SPECIAL GAZETTE

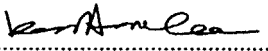
No. S36, Wednesday 6 March 1996

INSTRUMENT NO. 4/96

PUBLIC ROADS ACT 1902 (NSW)

NOTICE OF DECLARATION OF A PUBLIC ROAD

Pursuant to section 18 of the Public Roads Act 1902 (NSW) I declare that the land described in the schedule below shall be a public road.



DATE 28. 2. 96

KEN HORSHAM
Delegate of the Minister

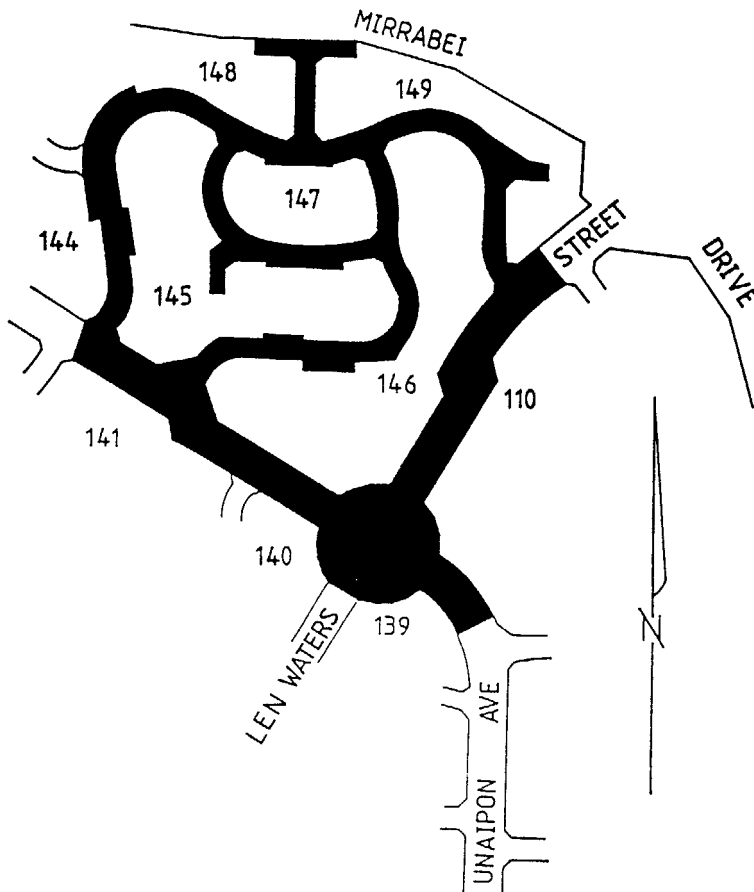
SCHEDULE

Plan No. 1: The land within Sections 110, 139 to 141 and 144 to 149 in the Division of Ngunnawal in the District of Gungahlin.

Plan No. 2: The land within Sections 106, 126 and 155 in the Division of Ngunnawal in the District of Gungahlin.

Plan No. 3: The land within Sections 30 and 33 in the Division of Nicholls in the District of Gungahlin.

Plan No. 4: The land within Sections 560 to 562 in the Division of Gordon in the District of Tuggeranong.

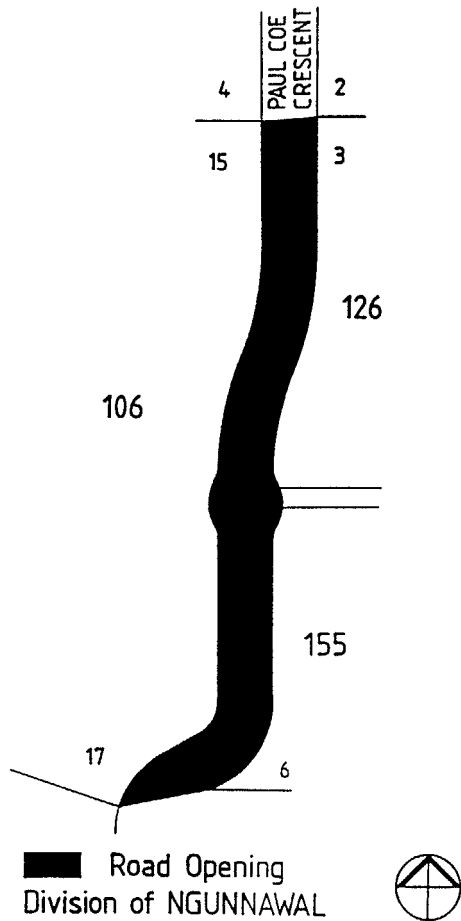


■ Road Opening
Division of NGUNNAWAL

This is Plan Number One annexed to Instrument No. 4/96 signed on this 28th day of February, 1996.

lett.
.....

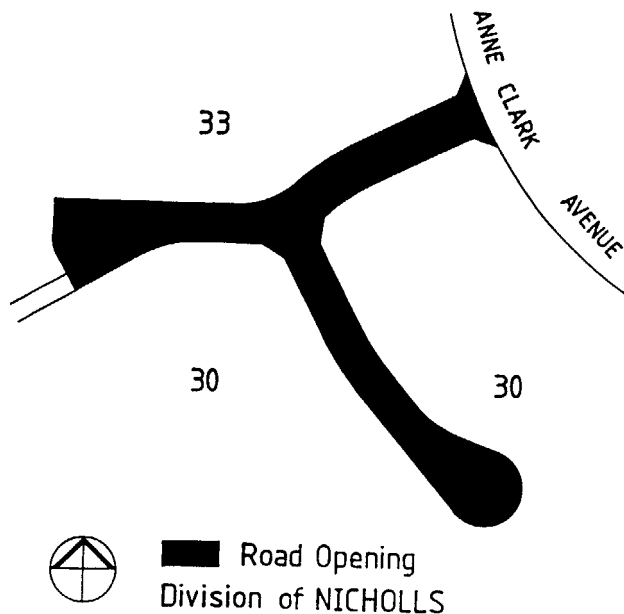
Delegate's Initials



This is Plan Number Two annexed to Instrument No. 4/96 signed on this 28th
day of February, 1996.

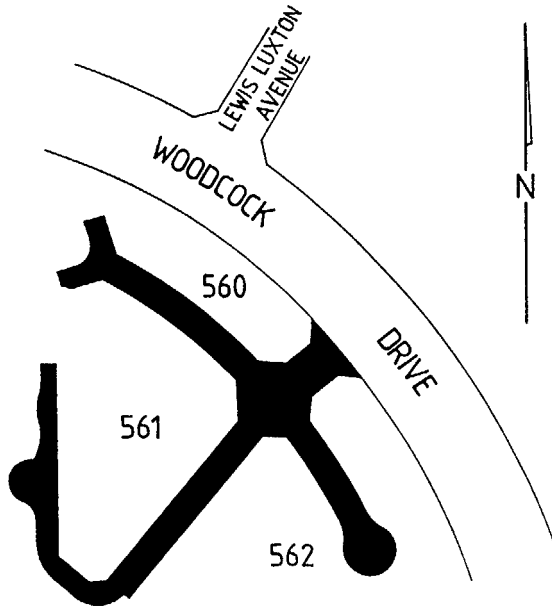
108 ,
.....

Delegate's Initials



This is Plan Number Three annexed to Instrument No. 4/96 signed on this ~~20th~~
day of *February*, 1996.

~~10th~~.....
Delegate's Initials



■ ROAD OPENING
DIVISION OF GORDON

This is Plan Number Four annexed to Instrument No. 4/96 signed on this ^{28th}
day of *February*, 1996.

WA
.....
Delegate's Initials