



ACT
Government

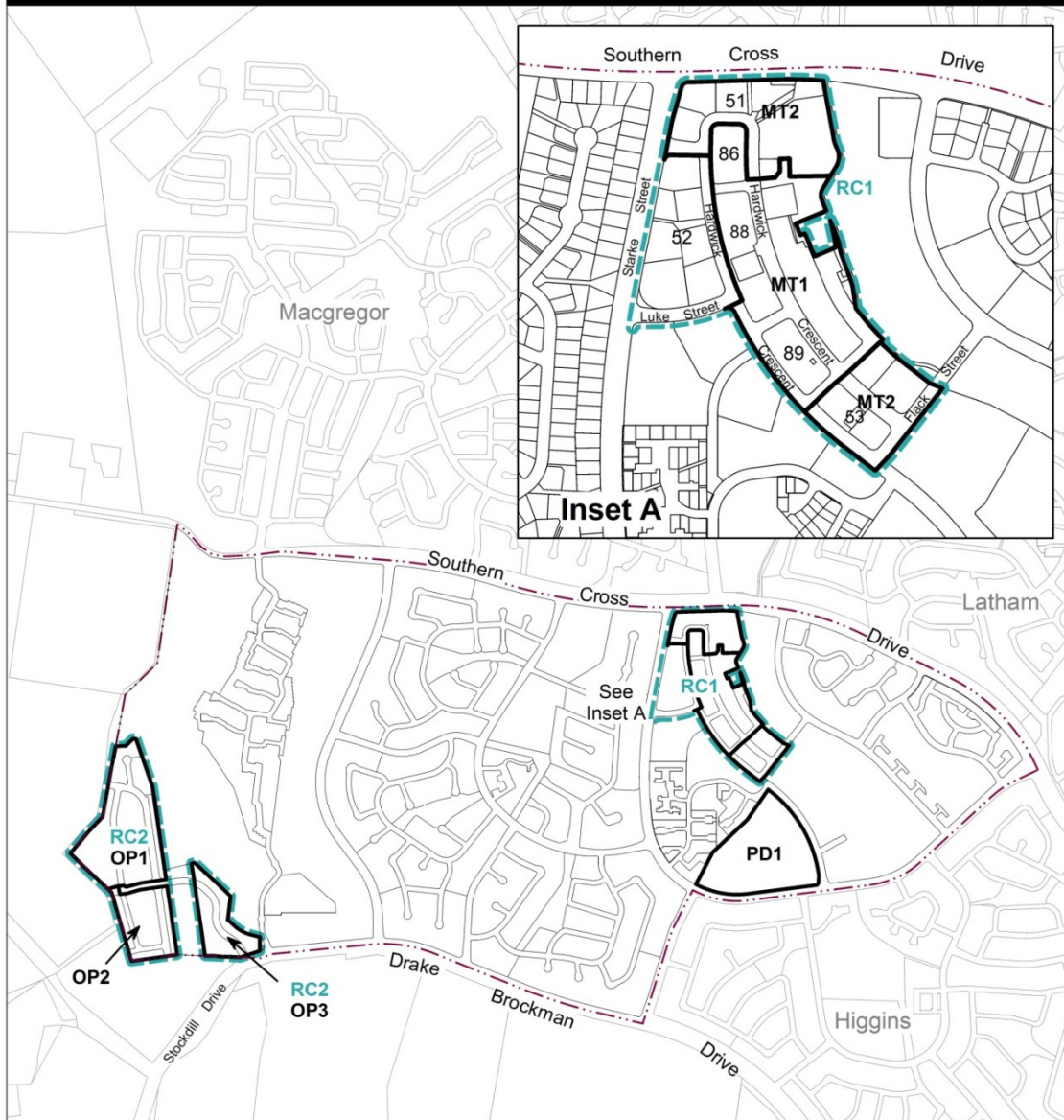
Environment and
Sustainable Development

Holt Precinct Map and Code

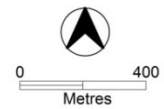
includes
Kippax Group Centre

This page is intentionally blank.

Holt Precinct Map



- PDn** Additional prohibited development applies see Table 1
- MTn** Additional merit track development applies see Table 2
- RCn** Additional rules and criteria apply see Holt Precinct Code
- OPn** Ongoing provisions apply see Holt Precinct Code



Assessment Tracks

The following tables identify the additional prohibited development and additional merit track development for blocks and parcels shown in the Holt Precinct Map (identified as PDn or MTn). Development that is exempt from requiring development approval, other prohibited development and the minimum assessment track applicable to each development proposal is set out in the relevant zone development table.

The following tables constitute part of the relevant zone development table.

Table 1 – Additional prohibited development

Additional prohibited development		
Suburb precinct map label	Zone	Development
PD1	CFZ	<i>retirement village</i> <i>supportive housing</i>

Table 2 – Additional merit track development

Additional merit track development that may be approved subject to assessment		
Suburb precinct map label	Zone	Development
MT1	CZ1	<i>industrial trades</i> <i>municipal depot</i> <i>store</i>
MT2	CZ2	<i>funeral parlour</i> <i>light industry</i> <i>service station</i> <i>veterinary hospital</i>

Holt Precinct Code

Contents

Introduction.....	4
Additional rules and criteria.....	6
RC1 – Kippax Group Centre	6
Element 1: Use	6
1.1 Ground floor uses	6
1.2 Industrial trades, municipal depot, store	8
1.3 Development on nominated car parking areas	8
Element 2: Buildings	8
2.1 Active frontages	8
RC2 – Residential	9
Element 3: Building and site controls	9
3.1 Setbacks	9
3.2 Height of buildings	10
3.3 Fences	10
OP1 – Holt residential area	19
OP2 – Holt residential area	20
OP3 – Holt residential area	21

Figures

Figure 1.....	7
Figure 2 Holt residential area 1	12
Figure 3 Holt residential area 2	13
Figure 4 Holt residential area 3	14
Figure 5 Holt residential area 4	15
Diagram 1 Fence type ‘F1’	16
Diagram 2 Fence type ‘F3’	16
Diagram 3 Fence type ‘F4’	17
Diagram 4 Fence types ‘F6’ and ‘F9’	17
Diagram 5 Fence Type ‘F10’	18
Figure 6 Holt residential area ongoing provisions	19
Figure 7 Holt residential area ongoing provisions	20
Figure 8 Holt residential area ongoing provisions	21

Introduction

Name

The name of this code is **Holt Precinct Code**.

Application

The code applies to the Division of Holt.

Purpose

This code provides additional planning, design and environmental controls for specific areas or blocks and may also contain references to provisions in other codes.

In conjunction with other relevant codes it will be used by the *Authority* to assess development applications and offer guidance to intending applicants in designing development proposals and preparing development applications.

Structure

This code contains additional rules and/or criteria for particular blocks or parcels identified as areas RCn on the precinct map, to be read in conjunction with the relevant development code. It may also contain sub-parts.

Each element has one or more rules and, unless the respective rule is mandatory, each rule has an associated criterion. Rules provide quantitative, or definitive, controls. By contrast, criteria are chiefly qualitative in nature.

In some instances rules are mandatory. Such rules are accompanied by the words “This is a mandatory requirement. There is no applicable criterion.” Non-compliance with a mandatory rule will result in the refusal of the development application. Conversely, the words “There is no applicable rule” is found where a criterion only is applicable.

Code hierarchy

Under the *Planning and Development Act 2007*, where more than one type of code applies to a development, the order of precedence if there is inconsistency of provisions between codes is: precinct code, development code and general code.

If more than one precinct code applies to the site, the most recent precinct code takes precedence to the extent of any inconsistency.

Definitions

Defined terms, references to legislation and other documents are italicised.

Definitions of terms used in this code are listed in part 13 of the Territory Plan or, for terms applicable only to this code, associated with the respective rule.

Acronyms

ACTPLA	Planning and Land Authority within the ACT Environment and Sustainable Development Directorate
EPA	ACT Environment Protection Authority
ESA	ACT Emergency Services Agency
ESDD	ACT Environment and Sustainable Development Directorate
NCA	National Capital Authority
P&D Act	Planning and Development Act 2007
TAMS	ACT Territory and Municipal Services Directorate

Additional rules and criteria

This part applies to blocks and parcels identified in the Holt Precinct Map (RCn). It should be read in conjunction with the relevant zone development code and related codes.

RC1 – Kippax Group Centre

This part applies to blocks and parcels identified in area RC1 shown on the Holt Precinct Map. RC1 includes the Kippax Group Centre.

Element 1: Use

Rules	Criteria
1.1 Ground floor uses	
<p>R1</p> <p>This rule applies to sites with frontage to main pedestrian areas and routes in CZ1.</p> <p>Only the following uses are permitted at the ground floor level:</p> <ul style="list-style-type: none"> a) <i>business agency</i> b) <i>club</i> c) <i>community activity centre</i> d) <i>drink establishment</i> e) <i>financial establishment</i> f) <i>hotel</i> g) <i>indoor entertainment facility</i> h) <i>indoor recreation facility</i> i) <i>public agency</i> j) <i>restaurant</i> k) <i>SHOP.</i> 	<p>C1</p> <p>Buildings fronting main pedestrian areas and routes incorporate uses on the ground floor that generate activity in the public space.</p>
<p>There is no applicable rule.</p>	<p>C2</p> <p>This criterion applies to sites with frontage to main pedestrian areas and routes in CZ2.</p> <p>Buildings incorporate uses on the ground floor that generate activity in the public space.</p>

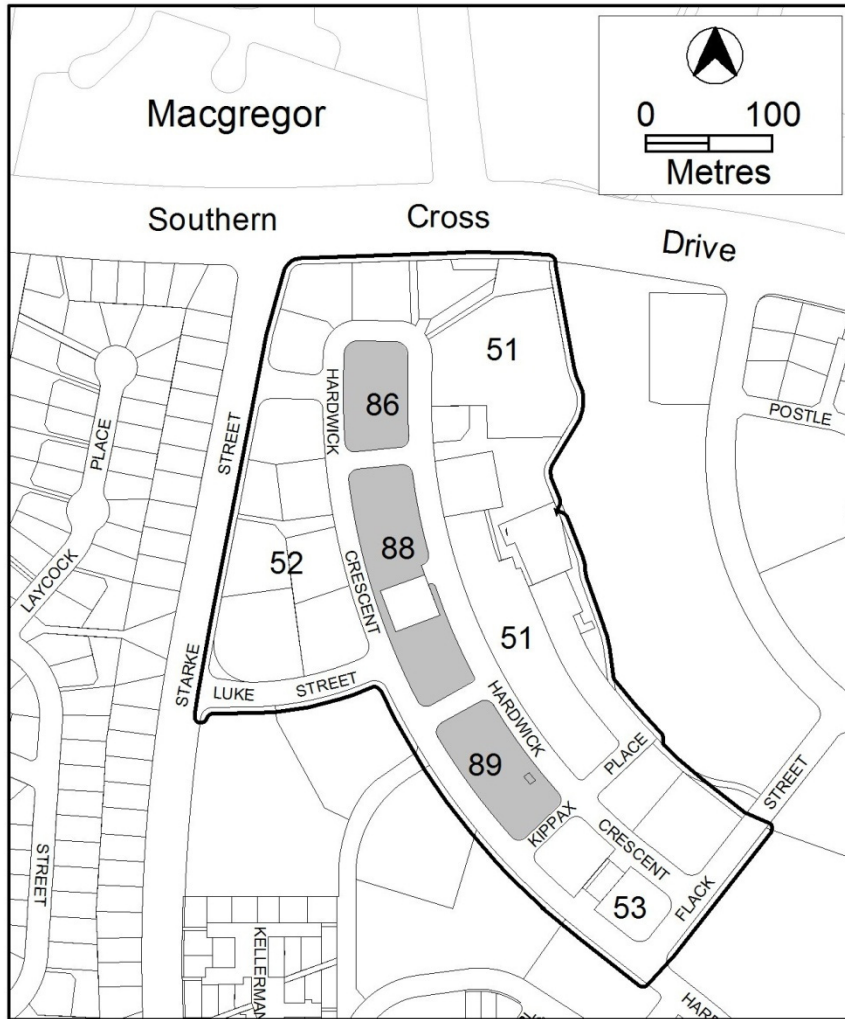


Figure 1

Rules	Criteria
1.2 Industrial trades, municipal depot, store	
<p>R3</p> <p>One or more of the following uses are permitted only in the shaded area shown in figure 1 and only in association with a structured <i>car park</i>:</p> <p>a) <i>industrial trades</i></p> <p>b) <i>municipal depot</i></p> <p>c) <i>store</i>.</p>	<p>This is a mandatory requirement. There is no applicable criterion.</p>
1.3 Development on nominated car parking areas	
<p>R4</p> <p>This rule applies to the shaded area shown in figure 1.</p> <p>Development complies with all of the following:</p> <p>a) the existing number of car parking spaces is retained on the site and made available for public use at all times</p> <p>b) provides car parking that is generated by the development on site in accordance with the <i>Parking and Vehicular Access General Code</i> in addition to the spaces required by item a)</p>	<p>C4</p> <p>Development meets all of the following:</p> <p>a) in accordance with the <i>Parking and Vehicular Access General Code</i>, there is enough car parking for the needs of the centre as a whole</p> <p>b) the development does not adversely affect the overall function of the centre in terms of economic, social, traffic and parking and urban design impacts.</p>

Element 2: Buildings

Rules	Criteria
2.1 Active frontages	
<p>R5</p> <p>Buildings incorporate display windows and entrances with direct pedestrian access at ground floor level on frontages to main pedestrian areas and routes and public open spaces.</p>	<p>C5</p> <p>Buildings achieve all of the following:</p> <p>a) direct access from main pedestrian areas</p> <p>b) avoid extensive lengths of blank walls unrelieved by doors, display windows or the like</p>

RC2 – Residential

This part applies to blocks and parcels identified in area RC2 shown on the Holt Precinct Map.

Element 3: Building and site controls

Rules	Criteria
3.1 Setbacks	
<p>R6</p> <p>This rule applies to blocks or parcels in locations identified in Figures 2, 3, 4 and 5.</p> <p>Minimum boundary setbacks for both <i>lower floor level</i> and <i>upper floor level unscreened elements</i> are nominated.</p>	<p>This is a mandatory requirement. There is no applicable criterion.</p>
<p>R7</p> <p>This rule applies to blocks or parcels in locations identified in Figures 2, 3, 4 and 5.</p> <p>Minimum boundary setback to <i>upper floor level</i> external wall screened element is nominated.</p>	<p>This is a mandatory requirement. There is no applicable criterion.</p>
<p>R8</p> <p>This rule applies to blocks or parcels in locations identified in Figures 2, 3, 4 and 5.</p> <p>Minimum boundary setback of 0m to both <i>lower floor level</i> and <i>upper floor level</i> unscreened element is nominated.</p>	<p>This is a mandatory requirement. There is no applicable criterion.</p>
<p>R9</p> <p>This rule applies to blocks or parcels in locations identified in Figures 3 and 4.</p> <p>Minimum boundary setback to garage is nominated and the maximum length of wall is 8m.</p>	<p>This is a mandatory requirement. There is no applicable criterion.</p>
<p>R10</p> <p>This rule applies to blocks or parcels in locations identified in Figures 3 and 4.</p> <p>Mandatory boundary setback of 0m to <i>lower floor level</i> for a maximum length of 13m measured from minimum front setback.</p>	<p>This is a mandatory requirement. There is no applicable criterion.</p>

Rules	Criteria
3.2 Height of buildings	
<p>R11</p> <p>This rule applies to blocks or parcels in locations identified in Figure 3.</p> <p>Maximum <i>height of buildings</i> is 1 storey.</p>	<p>This is a mandatory requirement. There is no applicable criterion.</p>
3.3 Fences	
<p>R12</p> <p>This rule applies to blocks or parcels in locations identified by 'F10' in Figure 5.</p> <p>Fence permitted on this boundary. Where a fence is constructed on this boundary it is to be 1800mm high, 470 x 350 piers, with lapped and capped timber infill panels.</p> <p>Note: See Diagram 5 for an example of fence type 'F10'.</p>	<p>This is a mandatory requirement. There is no applicable criterion.</p>
<p>R13</p> <p>This rule applies to blocks or parcels in locations identified by 'F3' in Figures 2, 3 and 4.</p> <p>Fence permitted on this boundary. Where a fence is constructed on this boundary it is to be a colorbond metal fence 1.8m high. Colour is to be colorbond 'Woodland Grey'.</p> <p>Note: See Diagram 2 for an example of fence type 'F3'.</p>	<p>This is a mandatory requirement. There is no applicable criterion.</p>
<p>R14</p> <p>This rule applies to blocks or parcels in locations identified by 'F4' in Figure 5.</p> <p>Fence permitted on this boundary. Where a fence is constructed on this boundary it is to be 1800mm high 470x350 piers with 230mm masonry infill.</p> <p>Note: See Diagram 3 for an example of fence type 'F4'.</p>	<p>This is a mandatory requirement. There is no applicable criterion.</p>

Rules	Criteria
<p>R15</p> <p>This rule applies to blocks or parcels in locations identified by 'F6' in Figures 2, 3, and 5.</p> <p>Fence permitted on this boundary. Where a fence is constructed on this boundary it is to be either 1.2m or 1.5m high pool type fence with 50mm SHS posts and tubular pool type panels finished in a black powdercoat.</p> <p>Note: See Diagram 4 for an example of fence type 'F6'.</p>	<p>This is a mandatory requirement. There is no applicable criterion.</p>
<p>R16</p> <p>This rule applies to blocks or parcels in locations identified by 'F7' in Figure 2.</p> <p>Fence permitted on this boundary. Where a fence is constructed on this boundary it is to be 1.8m high lapped and capped timber fence or 1.8m high masonry wall same as fence type F4 or combination of 1.8m high masonry piers with lapped and capped timber fence panels same as fence type F10.</p>	<p>This is a mandatory requirement. There is no applicable criterion.</p>
<p>R17</p> <p>This rule applies to blocks or parcels in locations identified by 'F8' in Figures 2, 3 and 4.</p> <p>Fence permitted on this boundary. Where a fence is constructed on this boundary enclosing a private open space, fence to be fence type F7 as described in Rule R16.</p> <p>In all other cases where fence is constructed it is to be type F1 or F9.</p> <p>Note: See Diagrams for examples of relevant fence types.</p>	<p>This is a mandatory requirement. There is no applicable criterion.</p>
<p>R18</p> <p>This rule applies to blocks or parcels in locations identified by 'F9' in Figures 3, 4 and 5.</p> <p>Fence permitted on this boundary. Where a fence is constructed on this boundary it is to be 1.5m high pool type fence with 50mm SHS posts and tubular pool type panels finished in a black powdercoat.</p> <p>Note: See Diagram 4 for an example of fence type 'F9'.</p>	<p>This is a mandatory requirement. There is no applicable criterion.</p>

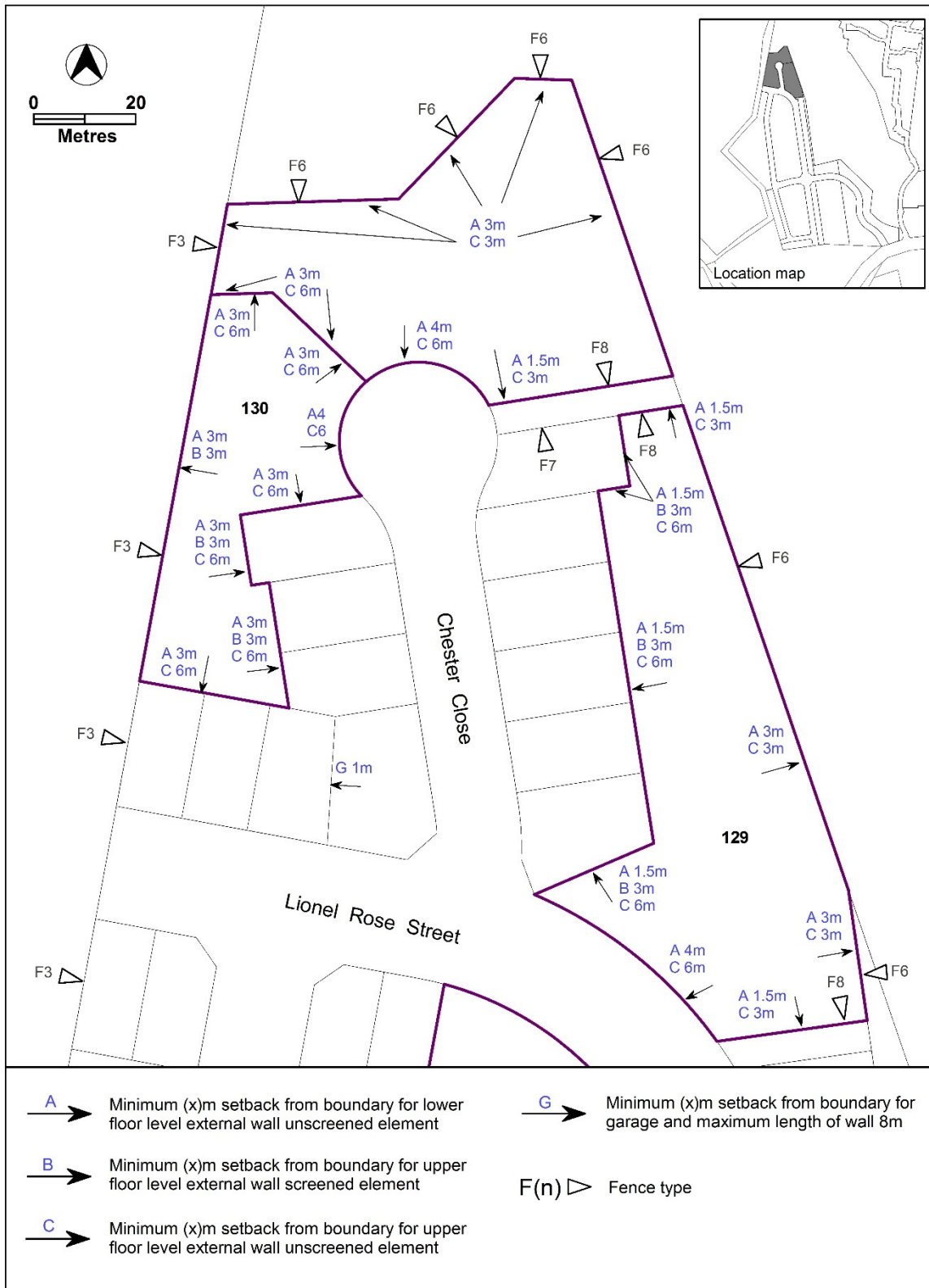


Figure 2 Holt residential area 1

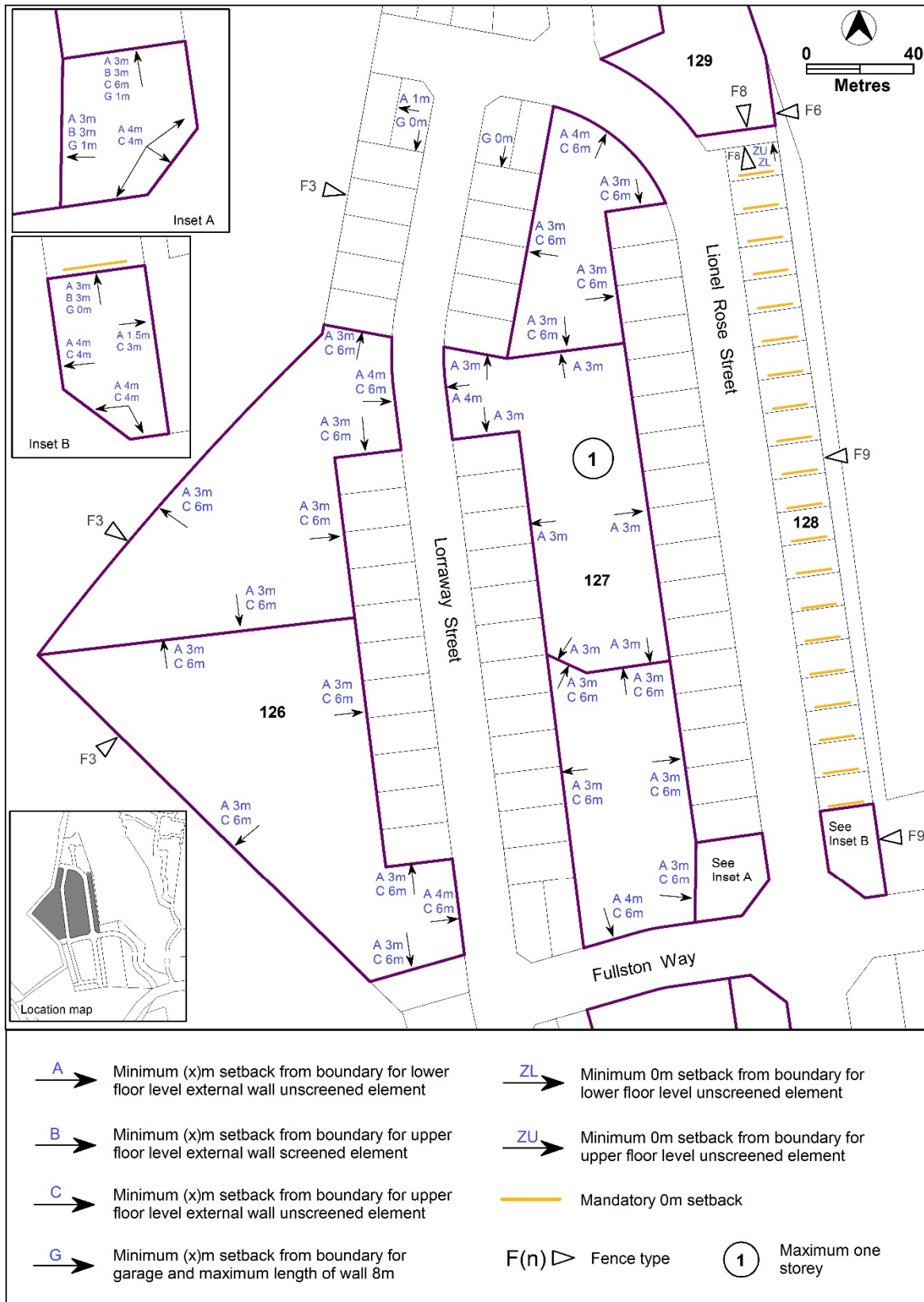


Figure 3 Holt residential area 2

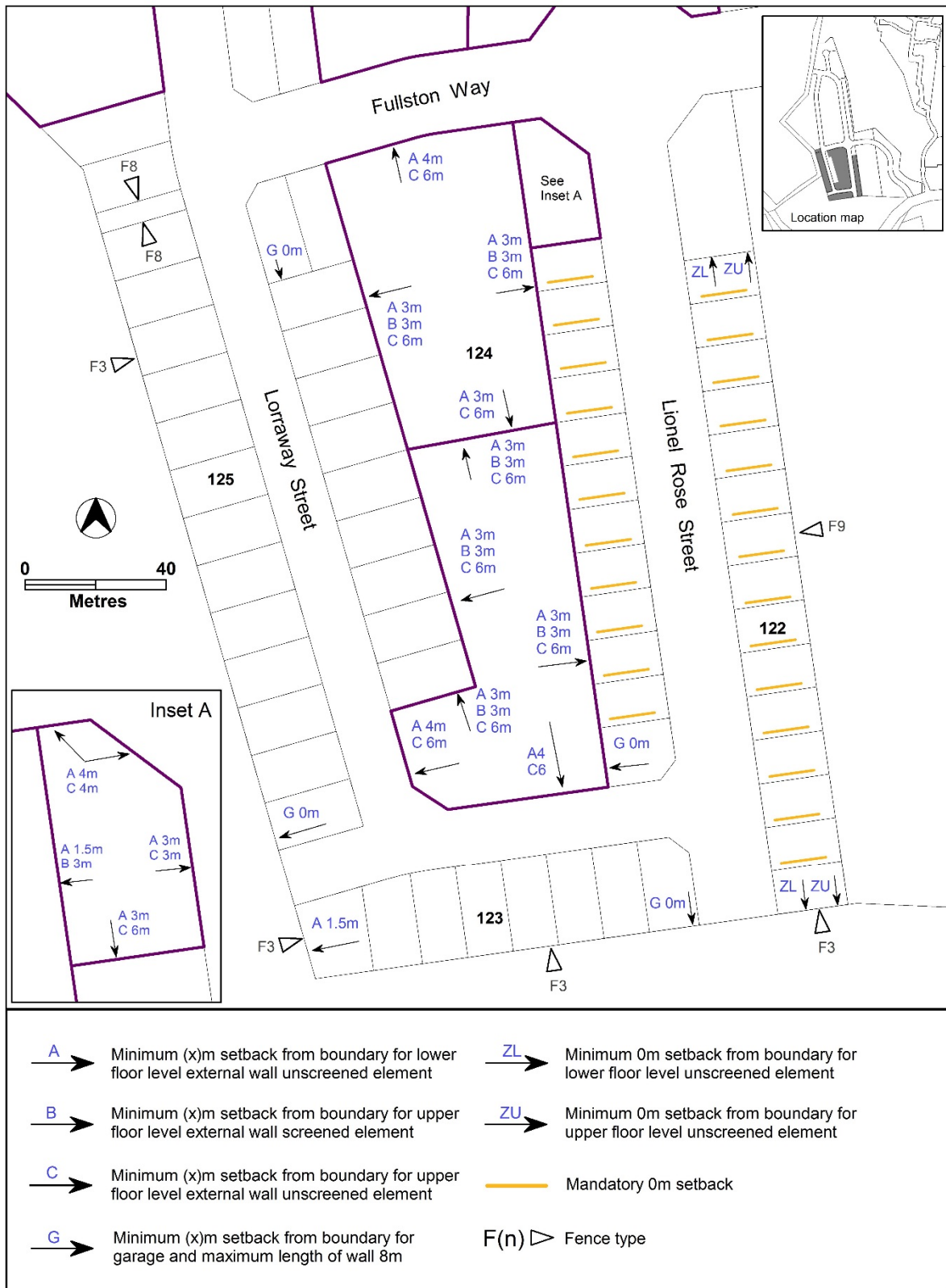


Figure 4 Holt residential area 3

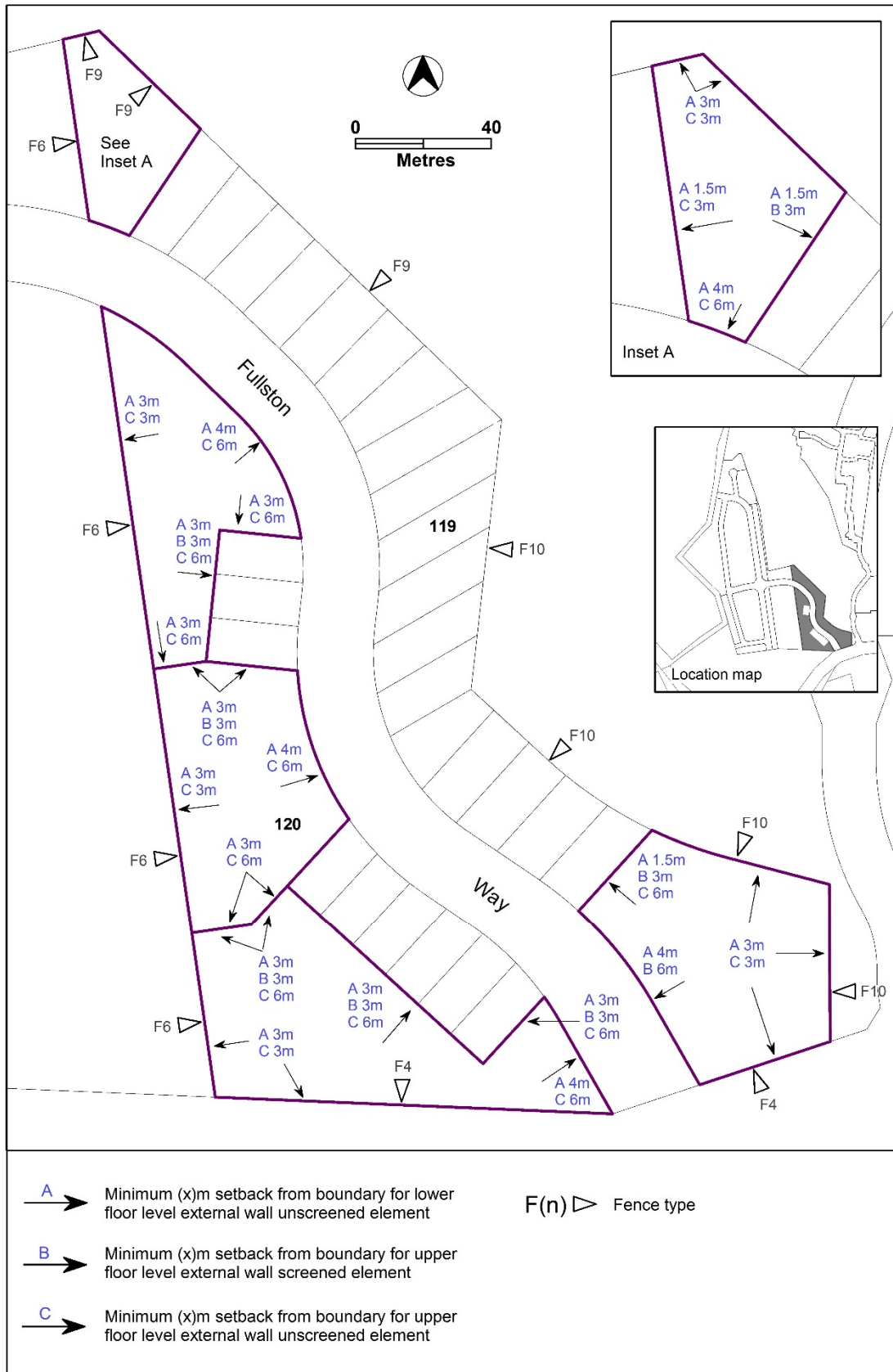


Figure 5 Holt residential area 4

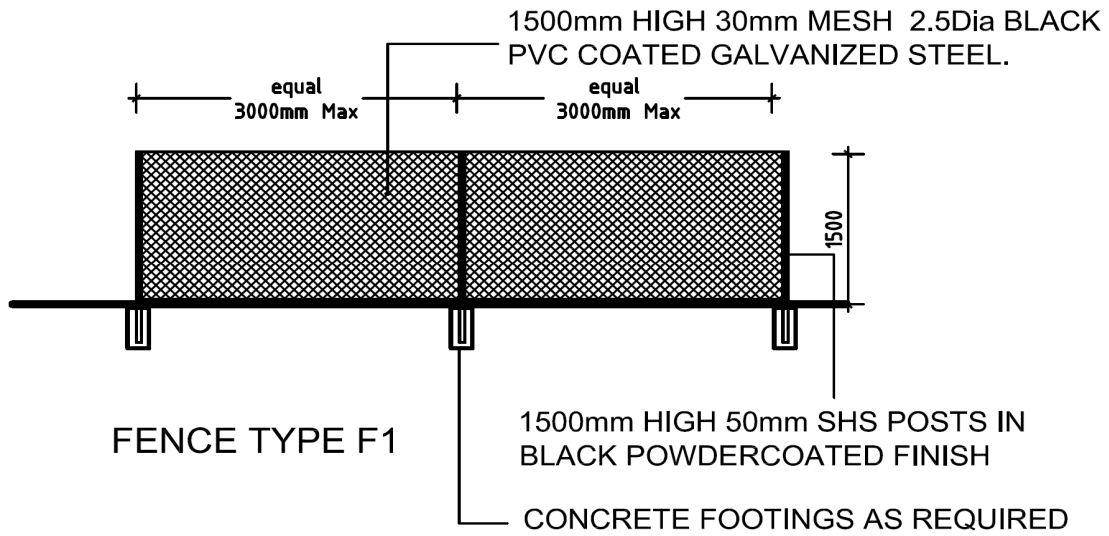


Diagram 1 Fence type 'F1'

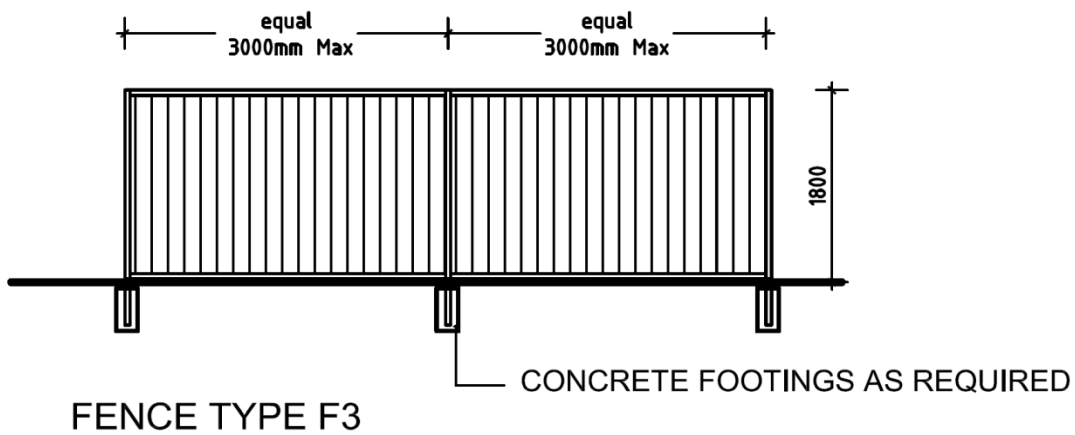


Diagram 2 Fence type 'F3'

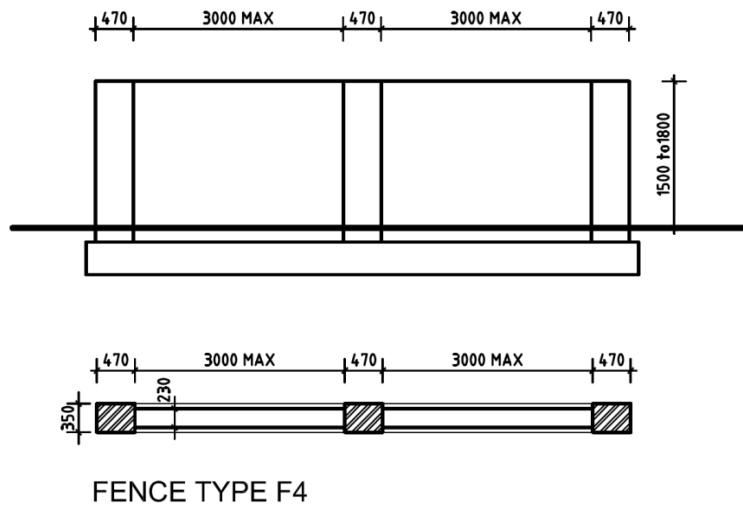


Diagram 3 Fence type 'F4'

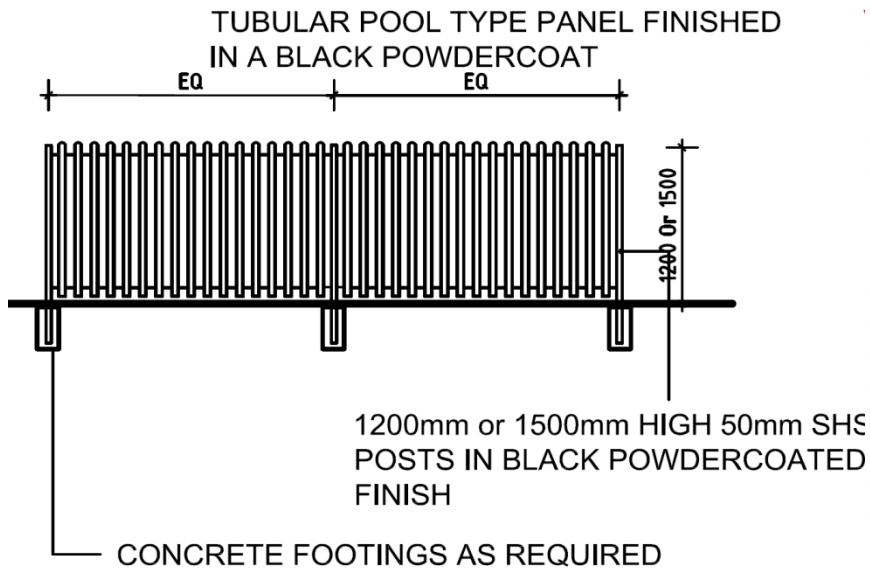


Diagram 4 Fence types 'F6' and 'F9'

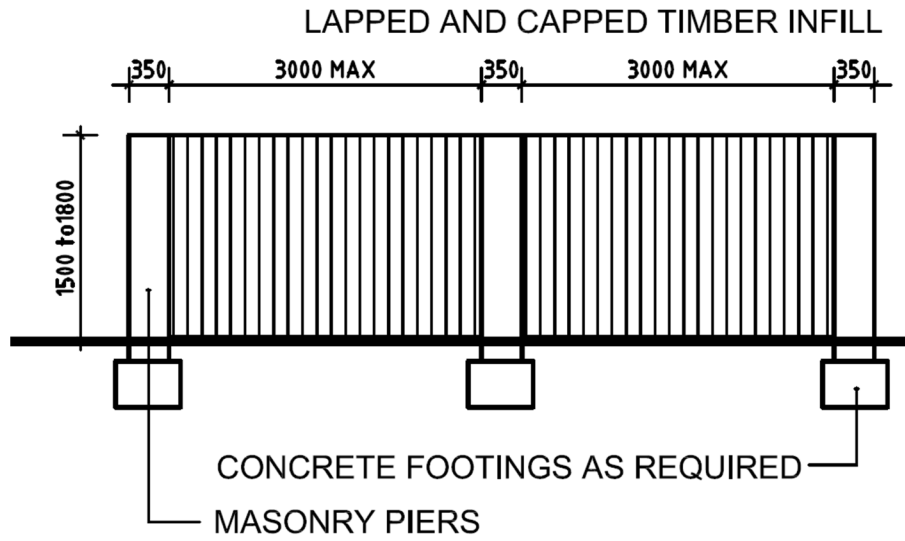


Diagram 5 Fence Type 'F10'

Other ongoing provisions

This part applies to blocks and parcels identified as ongoing provisions (OPn) in the Holt Precinct Map. It should be read in conjunction with the relevant zone development code and related codes.

OP1 – Holt residential area

This part applies to blocks and parcels identified in area OP1 shown on the Holt Precinct Map.

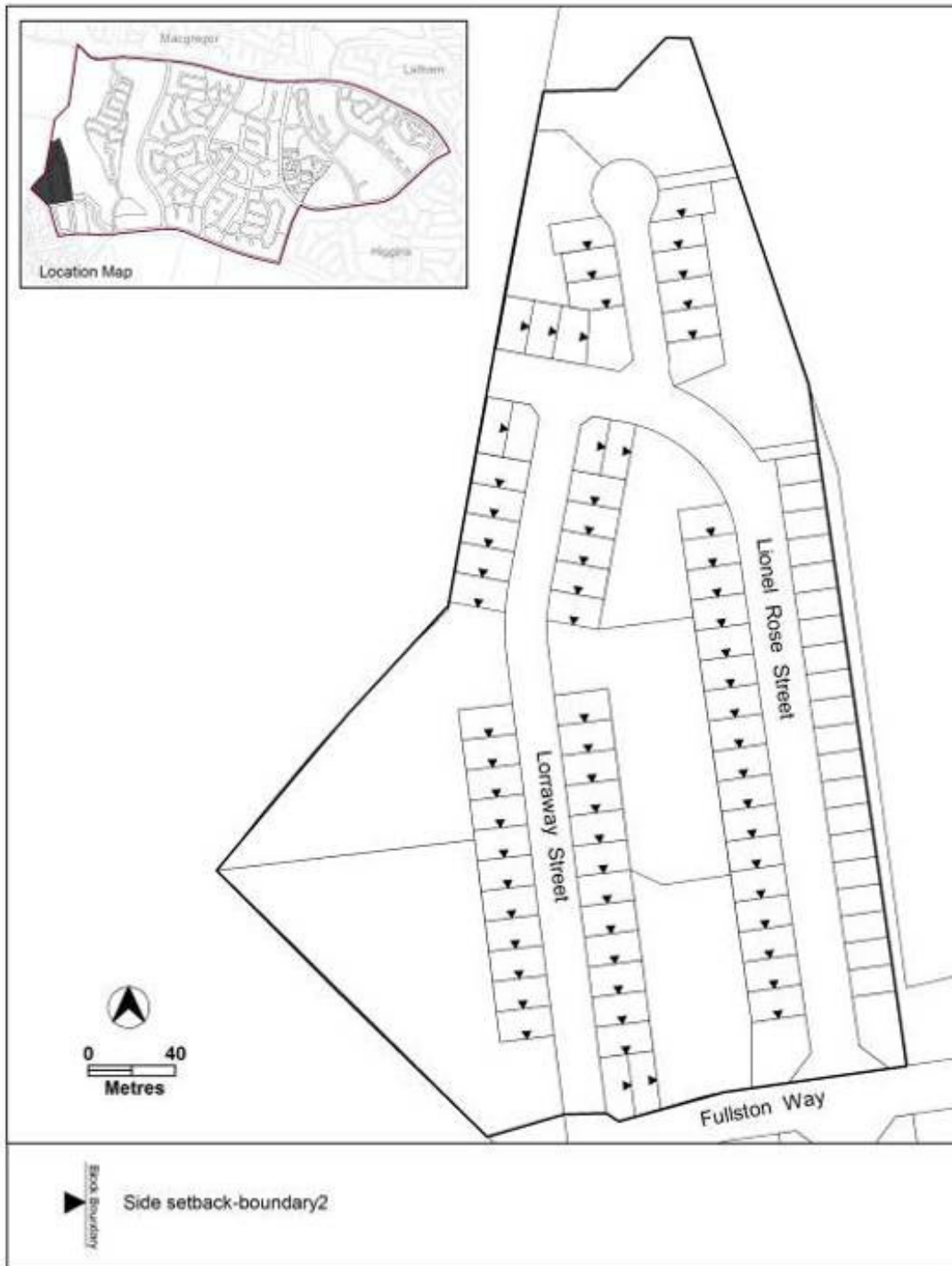


Figure 6 Holt residential area ongoing provisions

OP2 – Holt residential area

This part applies to blocks and parcels identified in area OP2 shown on the Holt Precinct Map.

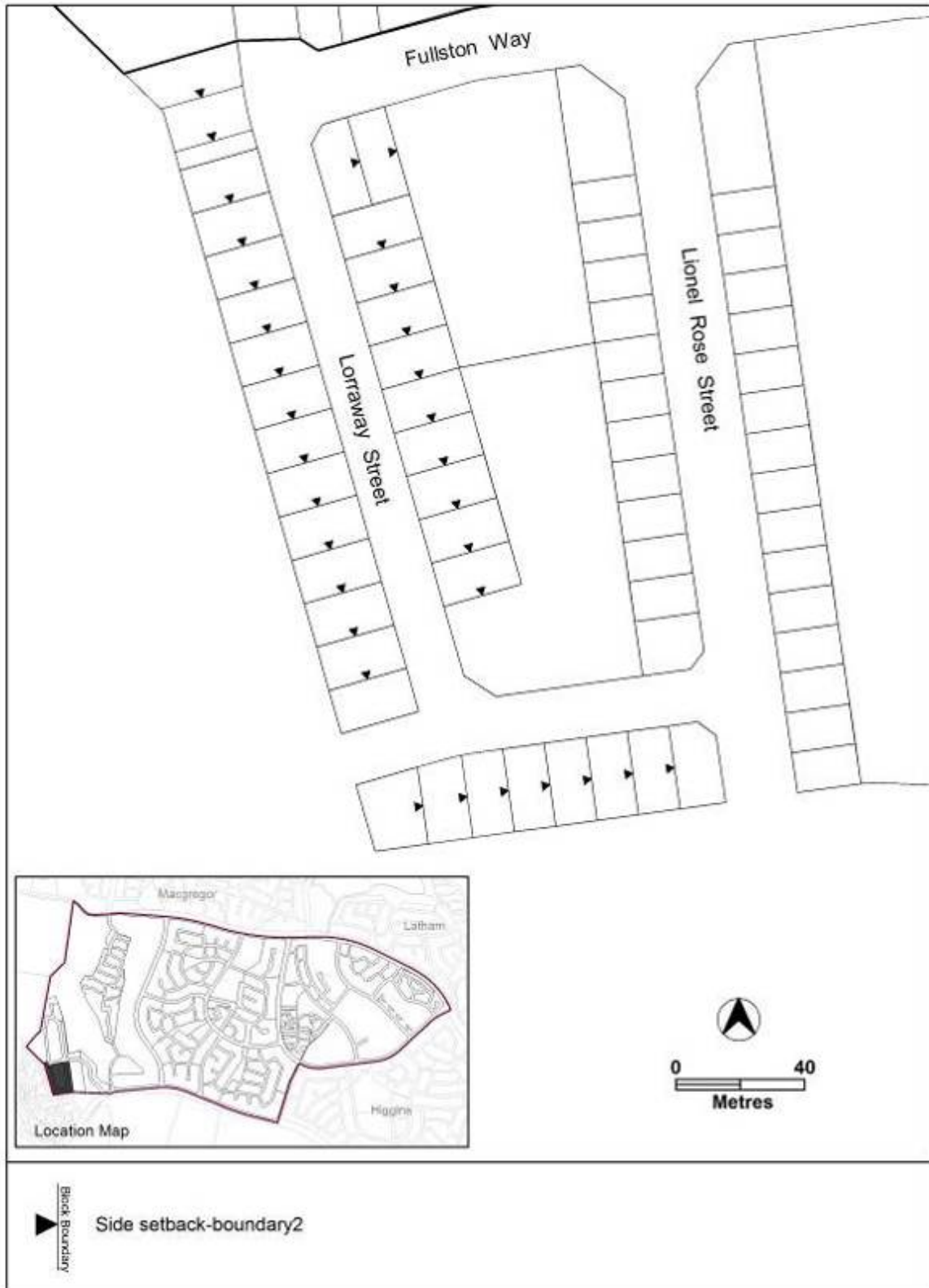


Figure 7 Holt residential area ongoing provisions

OP3 – Holt residential area

This part applies to blocks and parcels identified in area OP3 shown on the Holt Precinct Map.

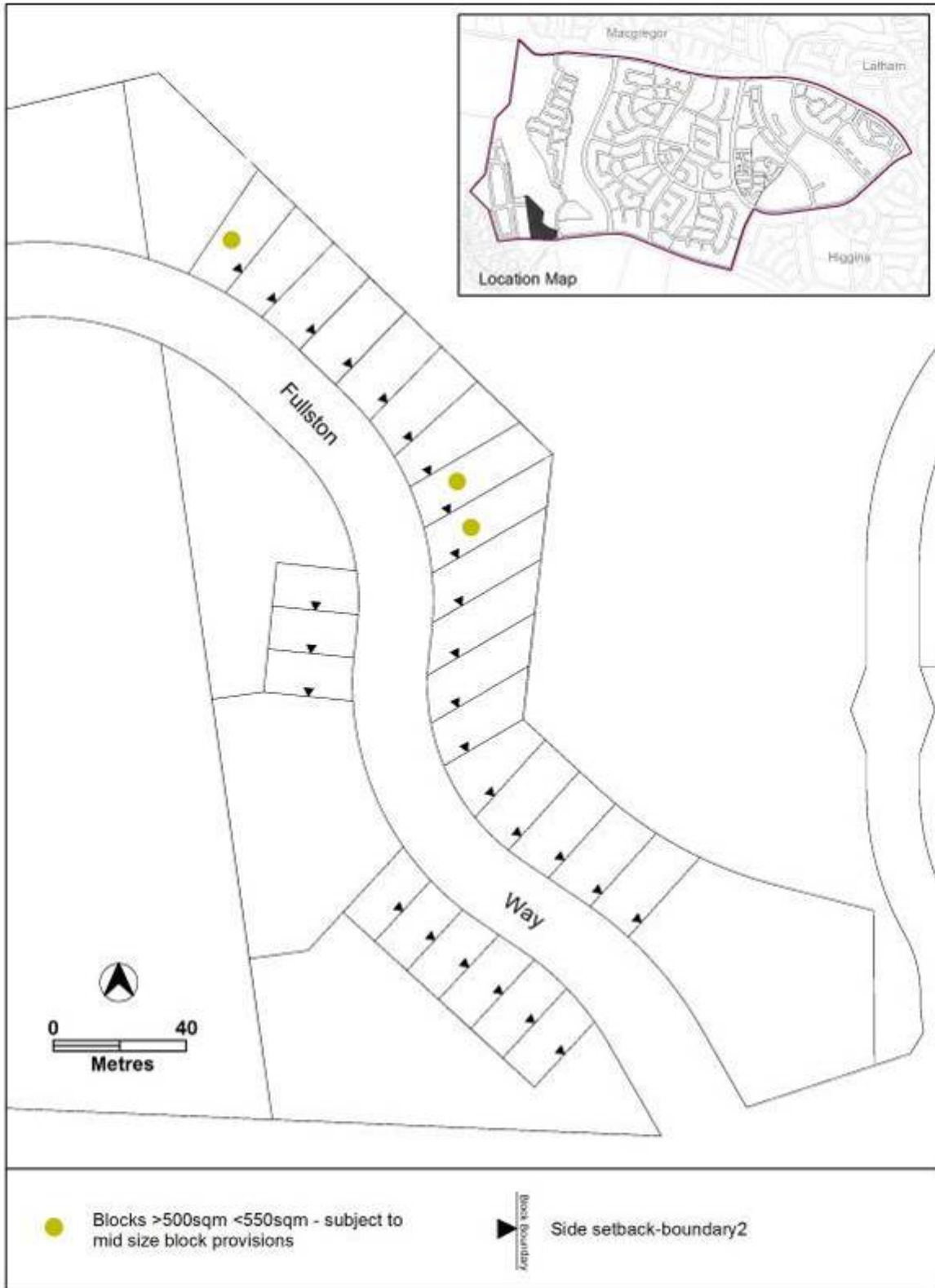


Figure 8 Holt residential area ongoing provisions