

Australian Capital Territory

Public Roads (Hume) Closure 2012 (No 1)

R54/12

Notifiable instrument NI2012-310

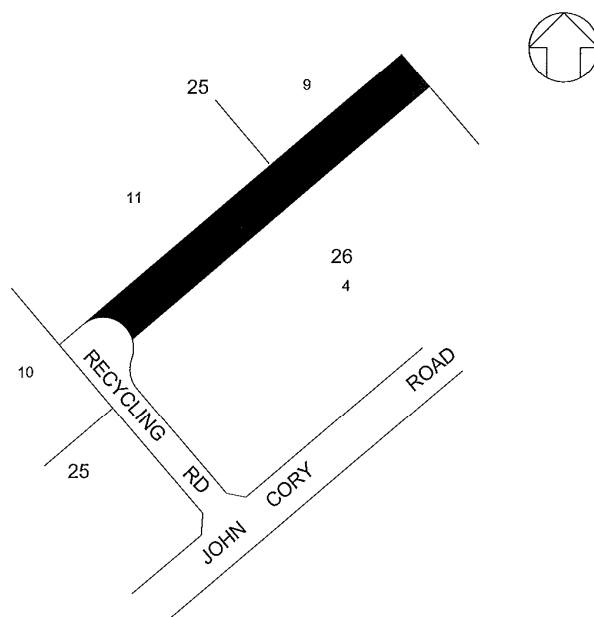
made under the

Public Roads Act 1902, section 20 (Closing of roads).

I close the part of the road reserve known as Recycling Road, adjacent to Sections 25 and 26 in the Division of Hume, in the District of Jerrabomberra shown in a thick black line on the plan annexed hereto.

Bill Hirst
Surveyor-General of the ACT
Delegate of the Minister

18 June 2012

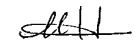


 ROAD CLOSURE

DIVISION OF HUME

This is the plan annexed to Public Roads (Hume) Closure 2012 (No 1)

signed on this 18th day of June 2012.



 Delegate's Initials